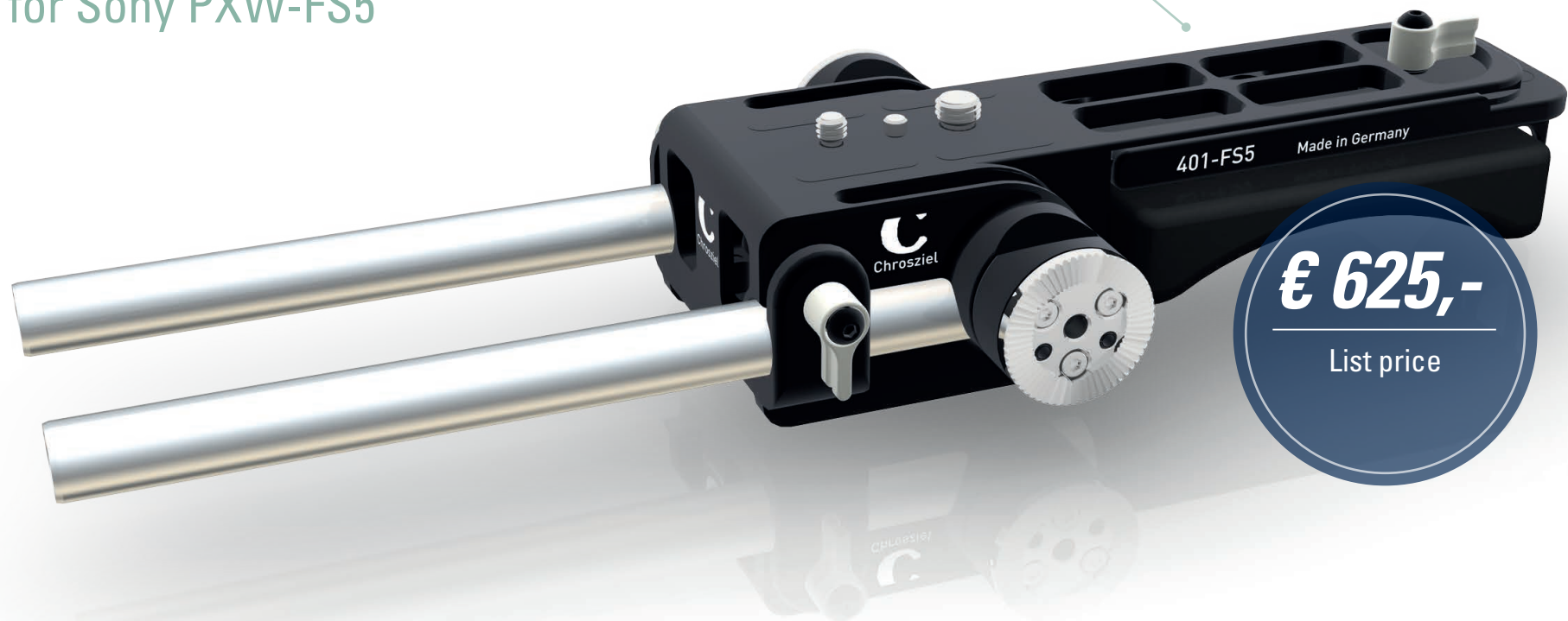


Light Weight Support 401-FS5

for Sony PXW-FS5



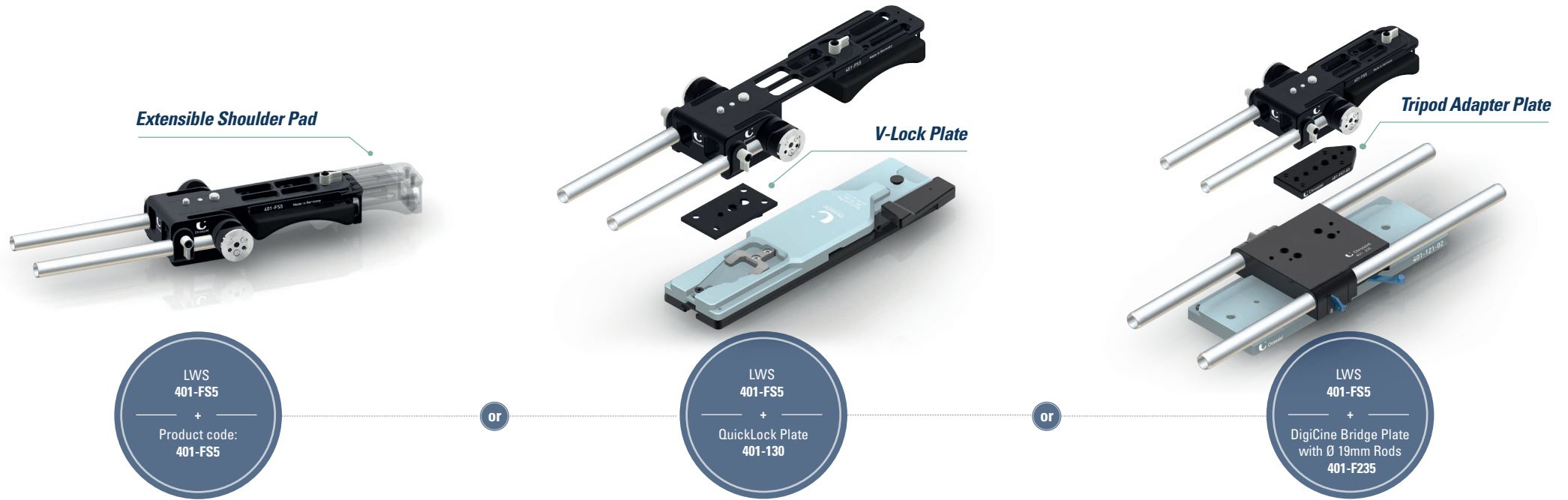
€ 625,-

List price

All prices in EURO, ex works.
Specifications subject to change without notice.

Chrosziel's new Light Weight Support 401-FS5 turns your Sony PXW-FS5 into a perfectly balanced shoulder-camera. Light-weight and easy to use, yet robust.

For perfect compatibility with Light Weight Support 401-FS5:



Additional Accessories:



Features LWS 401-FS5:

- **Light-weight** and easy to use, yet **robust and sturdy**
- **Sliding Shoulder Pad**, extensible for perfect balances on the shoulder
- **V-Mount** for **Chrosziel QuickLock Plate 401-130**, Sony VCT-14 or other quick-release plates (ARRI, Panasonic, etc.)
- Also combines with **Chrosziel 19 mm DigiCine Bridge Plate 401-F235** for dia. 19mm rods
- **Hirth rosettes** that perfectly combine with the telescopic extensions of Sony PXW-FS7 Handgrip (also fits for Sony PXW-FS5)
- **Light Weight Support safely fixed** on the camera base with several screws
- **Rod Clamp for Ø 15mm rods**, incl. new captive **Clamp Levers**
- **Incl. 205mm rods**, threaded for extensions
- **Tripod adapter plate 401-FS7-5-03** for direct tripod mounting
- **Additional accessories:** **Rear Rod Clamp 401-FS7-5R-01** for accessories like batteries or breakout boxes; **Handgrip Extender 403-FS5 with bajonet lock**, for use with Chrosziel LWS 401-FS5 or directly on the camera with included Hirth-Rosette.

For your enquiries or orders, please contact your local dealer or Chrosziel GmbH at info@chrosziel.com, phone +49 89 901 091-0, Fax +49 89 447 086-1.

Please consult our website www.chrosziel.com for a detailed dealers list.

Technical details:

- **Dimensions:** L 210 mm, W 113 mm, H 45 mm
- **Weight, incl. V-Lock Plate, Shoulder Pad and rods:** 625 g
- **Weight, incl. V-Lock Plate and Shoulder Pad (without rods):** 517 g
- **EAN:** 4250618835396